
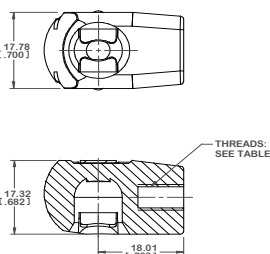

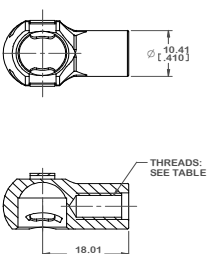

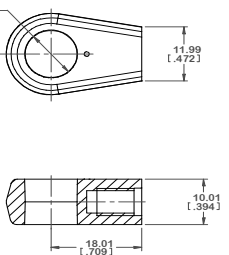

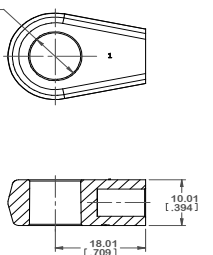

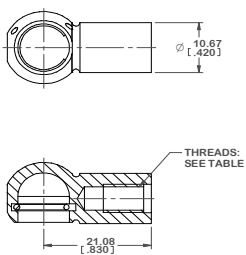

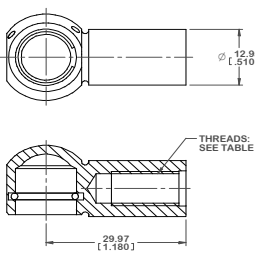

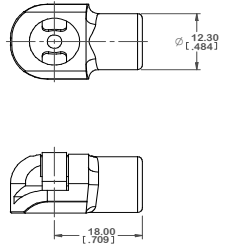

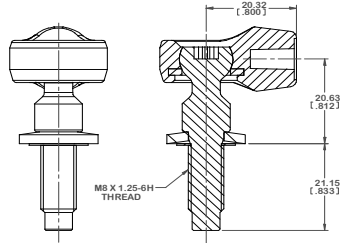

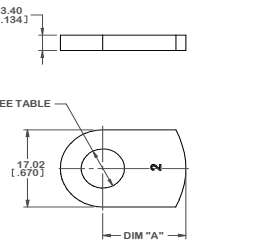

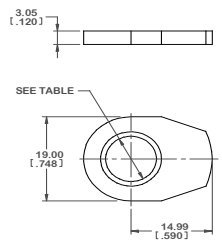




<p>PS30</p> 		<p>PS190</p> 																																											
<p>PLASTIC BALL SOCKET CONNECTOR</p> <table border="1"> <thead> <tr> <th>PS#</th> <th>AVM P/N</th> <th>THREADS</th> <th>BALL SOCKET</th> </tr> </thead> <tbody> <tr> <td>PS30</td> <td>PC1249</td> <td>M6</td> <td>10MM PLASTIC</td> </tr> <tr> <td>PS30</td> <td>PC1249-2</td> <td>M6</td> <td>10MM PLASTIC</td> </tr> </tbody> </table>		PS#	AVM P/N	THREADS	BALL SOCKET	PS30	PC1249	M6	10MM PLASTIC	PS30	PC1249-2	M6	10MM PLASTIC	<p>METAL BALL SOCKET CONNECTOR</p> <table border="1"> <thead> <tr> <th>PS#</th> <th>AVM P/N</th> <th>THREADS</th> <th>BALL SOCKET</th> </tr> </thead> <tbody> <tr> <td>PS190</td> <td>PC1506-1</td> <td>M6</td> <td>10MM METAL</td> </tr> </tbody> </table>		PS#	AVM P/N	THREADS	BALL SOCKET	PS190	PC1506-1	M6	10MM METAL																						
PS#	AVM P/N	THREADS	BALL SOCKET																																										
PS30	PC1249	M6	10MM PLASTIC																																										
PS30	PC1249-2	M6	10MM PLASTIC																																										
PS#	AVM P/N	THREADS	BALL SOCKET																																										
PS190	PC1506-1	M6	10MM METAL																																										
<p>PS12X</p> 	<p>SEE TABLE</p> 	<p>PS22X</p> 	<p>SEE TABLE</p> 																																										
<p>DIECAST BLADE CONNECTOR</p> <table border="1"> <thead> <tr> <th>PS#</th> <th>AVM P/N</th> <th>THREADS</th> <th>HOLE SIZE</th> </tr> </thead> <tbody> <tr> <td>PS120</td> <td>PC1044</td> <td>M6</td> <td>Ø.510</td> </tr> <tr> <td>PS121</td> <td>PC1044-1</td> <td>M6</td> <td>Ø.405</td> </tr> <tr> <td>PS122</td> <td>PC1044-2</td> <td>M6</td> <td>Ø.325</td> </tr> <tr> <td>PS123</td> <td>PC1044-3</td> <td>M6</td> <td>Ø.280</td> </tr> <tr> <td>PS124</td> <td>PC1044-4</td> <td>M6</td> <td>Ø.205</td> </tr> </tbody> </table>		PS#	AVM P/N	THREADS	HOLE SIZE	PS120	PC1044	M6	Ø.510	PS121	PC1044-1	M6	Ø.405	PS122	PC1044-2	M6	Ø.325	PS123	PC1044-3	M6	Ø.280	PS124	PC1044-4	M6	Ø.205	<p>PLASTIC *THRU-HOLE CONNECTOR</p> <table border="1"> <thead> <tr> <th>PS#</th> <th>AVM P/N</th> <th>THREADS</th> <th>HOLE SIZE</th> </tr> </thead> <tbody> <tr> <td>PS221</td> <td>PC1512-1</td> <td>M6</td> <td>Ø.405</td> </tr> <tr> <td>PS222</td> <td>PC1512-2</td> <td>M6</td> <td>Ø.325</td> </tr> <tr> <td>PS223</td> <td>PC1513-3</td> <td>M6</td> <td>Ø.260</td> </tr> </tbody> </table>		PS#	AVM P/N	THREADS	HOLE SIZE	PS221	PC1512-1	M6	Ø.405	PS222	PC1512-2	M6	Ø.325	PS223	PC1513-3	M6	Ø.260		
PS#	AVM P/N	THREADS	HOLE SIZE																																										
PS120	PC1044	M6	Ø.510																																										
PS121	PC1044-1	M6	Ø.405																																										
PS122	PC1044-2	M6	Ø.325																																										
PS123	PC1044-3	M6	Ø.280																																										
PS124	PC1044-4	M6	Ø.205																																										
PS#	AVM P/N	THREADS	HOLE SIZE																																										
PS221	PC1512-1	M6	Ø.405																																										
PS222	PC1512-2	M6	Ø.325																																										
PS223	PC1513-3	M6	Ø.260																																										
<p>PS90</p> 		<p>PS100</p> 																																											
<p>***SECURITY RING REQUIRED***</p> <p>METAL BALL SOCKET CONNECTOR</p> <table border="1"> <thead> <tr> <th>PS#</th> <th>AVM P/N</th> <th>THREADS</th> <th>BALL SOCKET</th> <th>SECURITY RING P/N</th> </tr> </thead> <tbody> <tr> <td>PS90</td> <td>PC918-2</td> <td>M6</td> <td>10MM METAL</td> <td>PC740</td> </tr> </tbody> </table>		PS#	AVM P/N	THREADS	BALL SOCKET	SECURITY RING P/N	PS90	PC918-2	M6	10MM METAL	PC740	<p>SECURITY RING REQUIRED</p> <p>METAL BALL SOCKET CONNECTOR</p> <table border="1"> <thead> <tr> <th>PS#</th> <th>AVM P/N</th> <th>THREADS</th> <th>BALL SOCKET</th> <th>SECURITY RING P/N</th> </tr> </thead> <tbody> <tr> <td>PS100</td> <td>PC745</td> <td>M8</td> <td>13MM METAL</td> <td>PC744</td> </tr> </tbody> </table>		PS#	AVM P/N	THREADS	BALL SOCKET	SECURITY RING P/N	PS100	PC745	M8	13MM METAL	PC744																						
PS#	AVM P/N	THREADS	BALL SOCKET	SECURITY RING P/N																																									
PS90	PC918-2	M6	10MM METAL	PC740																																									
PS#	AVM P/N	THREADS	BALL SOCKET	SECURITY RING P/N																																									
PS100	PC745	M8	13MM METAL	PC744																																									
<p>PS170/ PS171</p> 		<p>PS60</p> 																																											
<p>PLASTIC BALL SOCKET CONNECTOR</p> <table border="1"> <thead> <tr> <th>PS#</th> <th>AVM P/N</th> <th>THREADS</th> <th>BALL SOCKET</th> <th>RETAINING CLIP</th> </tr> </thead> <tbody> <tr> <td>PS170</td> <td>PC1804</td> <td>M6</td> <td>10MM PLASTIC</td> <td>STEEL</td> </tr> <tr> <td>PS171</td> <td>PC1925</td> <td>M6</td> <td>10MM PLASTIC</td> <td>STAINLESS STEEL</td> </tr> </tbody> </table>		PS#	AVM P/N	THREADS	BALL SOCKET	RETAINING CLIP	PS170	PC1804	M6	10MM PLASTIC	STEEL	PS171	PC1925	M6	10MM PLASTIC	STAINLESS STEEL	<p>PLASTIC CAPTIVE BALL CONNECTOR</p> <table border="1"> <thead> <tr> <th>PS#</th> <th>AVM P/N</th> <th>THREADS</th> <th>BALL SOCKET</th> </tr> </thead> <tbody> <tr> <td>PS60</td> <td>PC1096-3</td> <td>M6</td> <td>13MM CAPTIVE</td> </tr> </tbody> </table>		PS#	AVM P/N	THREADS	BALL SOCKET	PS60	PC1096-3	M6	13MM CAPTIVE																			
PS#	AVM P/N	THREADS	BALL SOCKET	RETAINING CLIP																																									
PS170	PC1804	M6	10MM PLASTIC	STEEL																																									
PS171	PC1925	M6	10MM PLASTIC	STAINLESS STEEL																																									
PS#	AVM P/N	THREADS	BALL SOCKET																																										
PS60	PC1096-3	M6	13MM CAPTIVE																																										
<p>PS8X</p> 	<p>3.40 (.134)</p> <p>SEE TABLE</p> 	<p>PS18X</p> 	<p>3.05 (.120)</p> <p>SEE TABLE</p> 																																										
<p>METAL BLADE CONNECTOR</p> <table border="1"> <thead> <tr> <th>PS#</th> <th>AVM P/N</th> <th>DIM "A"</th> <th>HOLE SIZE</th> </tr> </thead> <tbody> <tr> <td>PS80</td> <td>PC103</td> <td>0.59</td> <td>Ø.402</td> </tr> <tr> <td>PS82</td> <td>PC103-2</td> <td>0.59</td> <td>Ø.340</td> </tr> <tr> <td>PS83</td> <td>PC103-3</td> <td>0.59</td> <td>Ø.270</td> </tr> <tr> <td>PS84</td> <td>PC103-4</td> <td>0.59</td> <td>Ø.504</td> </tr> <tr> <td>PS85</td> <td>PC103-5</td> <td>1.13</td> <td>Ø.3185</td> </tr> </tbody> </table>		PS#	AVM P/N	DIM "A"	HOLE SIZE	PS80	PC103	0.59	Ø.402	PS82	PC103-2	0.59	Ø.340	PS83	PC103-3	0.59	Ø.270	PS84	PC103-4	0.59	Ø.504	PS85	PC103-5	1.13	Ø.3185	<p>METAL BLADE CONNECTOR</p> <table border="1"> <thead> <tr> <th>PS#</th> <th>AVM P/N</th> <th>HOLE SIZE</th> </tr> </thead> <tbody> <tr> <td>PS180</td> <td>PC908</td> <td>Ø.472</td> </tr> <tr> <td>PS182</td> <td>PC908-2</td> <td>Ø.354</td> </tr> <tr> <td>PS183</td> <td>PC908-3</td> <td>Ø.256</td> </tr> <tr> <td>PS187</td> <td>PC908-7</td> <td>Ø.402</td> </tr> <tr> <td>PS188</td> <td>PC908-8</td> <td>Ø.322</td> </tr> </tbody> </table>		PS#	AVM P/N	HOLE SIZE	PS180	PC908	Ø.472	PS182	PC908-2	Ø.354	PS183	PC908-3	Ø.256	PS187	PC908-7	Ø.402	PS188	PC908-8	Ø.322
PS#	AVM P/N	DIM "A"	HOLE SIZE																																										
PS80	PC103	0.59	Ø.402																																										
PS82	PC103-2	0.59	Ø.340																																										
PS83	PC103-3	0.59	Ø.270																																										
PS84	PC103-4	0.59	Ø.504																																										
PS85	PC103-5	1.13	Ø.3185																																										
PS#	AVM P/N	HOLE SIZE																																											
PS180	PC908	Ø.472																																											
PS182	PC908-2	Ø.354																																											
PS183	PC908-3	Ø.256																																											
PS187	PC908-7	Ø.402																																											
PS188	PC908-8	Ø.322																																											
<p>PS006</p> 	<p>8.89 (.350)</p> <p>6mm & 8mm SHAFTS</p>	<p>PS008</p> 	<p>10.16 (.400)</p> <p>8mm & 10mm SHAFTS</p>																																										
<p>THREADED ENDS</p> <table border="1"> <thead> <tr> <th>PS#</th> <th>AVM P/N</th> <th>THREADS</th> </tr> </thead> <tbody> <tr> <td>PS006</td> <td>"H" STYLE</td> <td>M6</td> </tr> </tbody> </table>		PS#	AVM P/N	THREADS	PS006	"H" STYLE	M6	<p>THREADED ENDS</p> <table border="1"> <thead> <tr> <th>PS#</th> <th>AVM P/N</th> <th>THREADS</th> </tr> </thead> <tbody> <tr> <td>PS008</td> <td>"J" STYLE</td> <td>M8</td> </tr> </tbody> </table>		PS#	AVM P/N	THREADS	PS008	"J" STYLE	M8																														
PS#	AVM P/N	THREADS																																											
PS006	"H" STYLE	M6																																											
PS#	AVM P/N	THREADS																																											
PS008	"J" STYLE	M8																																											